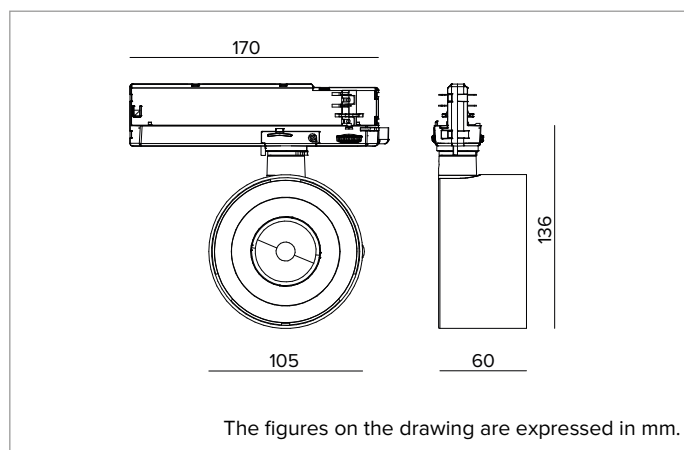


## T041MFL930ELDB | ZENO 105

### Professional adjustable LED projector



	3000K	H(m)	D(m)	Emax(lx)
	Ra90		24°	
Fixture Power	19W	1	0.42	8192
Source Flux	2247lm	2	0.84	2048
Fixture Flux	1754lm	3	1.25	910
Efficacy	92lm/W	4	1.67	512
TS1926	Imax=3646cd/klm	Imax	8192cd	5
			2.09	328



#### SOURCE

High efficiency Chip on Board LED Ra90. Ra97 on request.

**Energy efficiency class:** D

**Nominal power:** 17W

**Nominal flux:** 2247lm

**Colour rendering index:** 90

**Rf:** 92

**Rg:** 101

**CCT nominal:** 3000K

**Lifetime (L80/B10):** >50000h tq +25°C

#### ILLUMINOTECHNICAL CHARACTERISTICS

Flood version with optical grade PMMA TIR lenses.

**Optic:** LENS

**Beam angles:** FL

**Optical efficiency:** 78%

**Fixture flux:** 1754lm

**Luminous efficacy:** 92lm/W

**Photobiological safety:** Compliant with RG1 low risk group

#### MECHANICAL CHARACTERISTICS

Die-cast painted aluminium body. The optical unit can be adjusted from 0 to -90° on the vertical plane; and 355° on the horizontal plane with aiming blocking system.

**Colour and finish:** Deep black

**Weight:** 0.8Kg

**Degree of protection:** IP20

#### ELECTRICAL CHARACTERISTICS

ON-OFF electronic driver integrated into the track adapter.

**Fixture Power:** 19W

**Power supply:** 220-240Vac 50/60Hz

**Insulation Class:** CLASS 2

**Type of driver / Control:** ON-OFF

**Driver included:** YES

**Class F:** YES

**Ambient temperature:** 0°C / +25°C

#### INSTALLATION

Electrified track mounting. Mechanical and optic accessories available, to be installed with holder ring (necessary).

#### NOTES

110-277Vac version available on request.

#### WARRANTY

5 years.

#### WARNING

Luminaire designed for disposal/recycling at end-of-life. Replaceable (LED only) light source by a professional. Replaceable control gear by a professional.

Due to the technological evolution of the electronic components, the data provided may be updated, and as such, confirmation must be requested during the order process.

Luminous flux and power supply have +/-10% tolerances with respect to the indicated value. tq +25°C (CIE 121).

We reserve the right to make technical changes.

Targetti Sankey S.r.l.  
Via Pratese, 164  
50145 Firenze - Italy  
Tel: +39 055 37911  
targetti.com  
targetti@targetti.com

CCIAA Firenze  
Share Capital:  
€ 500.000,00  
VAT N. (IT):  
01537660480  
R.E.A: FI-275656

**TARGETTI**

**T041MFL930ELDB | ZENO 105**  
Professional adjustable LED projector

**Accessories**

**Filter**



Code

**1T6572**

Blade of light filter.  
Methacrylate holographic filter.  
This makes the beam take on an oval shape and when combined with spotlights, the light blade appears more prominent.  
To be completed with a dedicated holder ring.

**Grid**



Colour

Code



**1T6573**

Anti-glare louver.  
Black lacquered aluminium honeycomb structure.  
To be completed with a dedicated holder ring.

**Cut-off**



Colour

Code



**1T6574**

Black painted steel cut-off.  
To be completed with a dedicated holder ring.



Colour

Code



**1T6575**

Black painted steel asymmetric cut-off.  
To be completed with a dedicated holder ring.

**Ray Shade**



Colour

Code



**1T6576**

Adjustable barn doors flaps made of black painted steel.  
To be completed with a dedicated holder ring.

**Holder Ring**

Colour

Code



**1T6571**

Black painted aluminium accessory holder ring.

**Bracket**



Colour

Code



**A058PW**



**A058DB**

Rigid support bracket for projectors with Eurostandard Plus track attachment.  
For compatibility and use please refer to the assembly instructions for the projectors.  
For installation of Zeno 105 projectors on wall vertical tracks.

Due to the technological evolution of the electronic components, the data provided may be updated, and as such, confirmation must be requested during the order process.  
Luminous flux and power supply have +/-10% tolerances with respect to the indicated value. tq +25°C (CIE 121).

We reserve the right to make technical changes.

Targetti Sankey S.r.l.  
Via Pratese, 164  
50145 Firenze - Italy  
Tel: +39 055 37911  
targetti.com  
targetti@targetti.com

CCIAA Firenze  
Share Capital:  
€ 500.000,00  
VAT N. (IT):  
01537660480  
R.E.A.: FI-275656

